

## Features

- Universal input 100-240VAC
- Approved to UKCA, CE, cULus, TUV-GS, RCM (C-Tick), FCC, RoHS, REACH
- EN/UL 60905-1 Safety Approved
- Meets Efficiency Level VI
- FCC Class B Certified
- Single Output 15~18V DC
- OVP, OCP, OTP, SCP



Ideal Power's 25HK-AB-xAz-CP-3A 30W AC/DC External Adapter Interchangeable Power Supply (PSU) Series are certified to UKCA, CE, cULus, TUV-GS, RCM (C-Tick), FCC, RoHS, REACH & EN 60905-1/UL 60905-1 Standards and comply with (EU) 2019/1782, Level VI Efficiency Regulations. These are primarily used in ITE, Audio & Video Industries and customised solutions are available upon request.

### Models

Model Number	Output Voltage (V dc)	Output Current (A)	Output Power (W)	Efficiency (%)
25HK-AB-150A200-CP-3A	15	2	30	83.62
25HK-AB-180A166-CP-3A	18	1.66	30	

### General Specifications

Type	Switched Mode Power Supply
Plug Type	Australia, European Plug, UK, US
Output Connector	2.1mm x 5.5mm x 12mm Centre Positive
Input Connector	Universal Plug
Number Of Outputs	1
Regulated/Unregulated	Regulated
Efficiency	83.08%
Energy Efficiency Level	VI
Applications	Peripheral equipment, Networking equipment, Portable equipment, Telecommunications equipment

**Output Data**

Input Voltage Range	100 ~ 240V AC $\pm$ 10%
Load Regulation	0-2.0A
Dielectric Withstand	AC 3000 Vrms ,4mA,1minute for type test, 2 second for production test
Input Frequency	47H - 63Hz
Hold-up time	10ms Min at 110VAC full load
Inrush Current	50 ~ 60A Max Depending on model
No Load Power Consumption	0.1W Max
Ripple and Noise	200mV Max @20MHz bandwidth with 10UF/50V capacitance and 104/50V ceramic capacitor
MTBF	50,000 hours at 25°C
Line Regulation	$\pm$ 2% maximum
Short Circuit	Auto Recovery.
Input Protection	Auto Recovery.
Output Current	Auto Recovery.

**Mechanical Specifications**

Cable Length	6ft Minimum
Width	101mm
Length	52mm
Depth	36mm

**Operation Environment Specifications**

Storage Temperature	-20~40°C
Operation Temperature	0~40°C
Relative Humidity	10% ~ 95%

**Approvals**

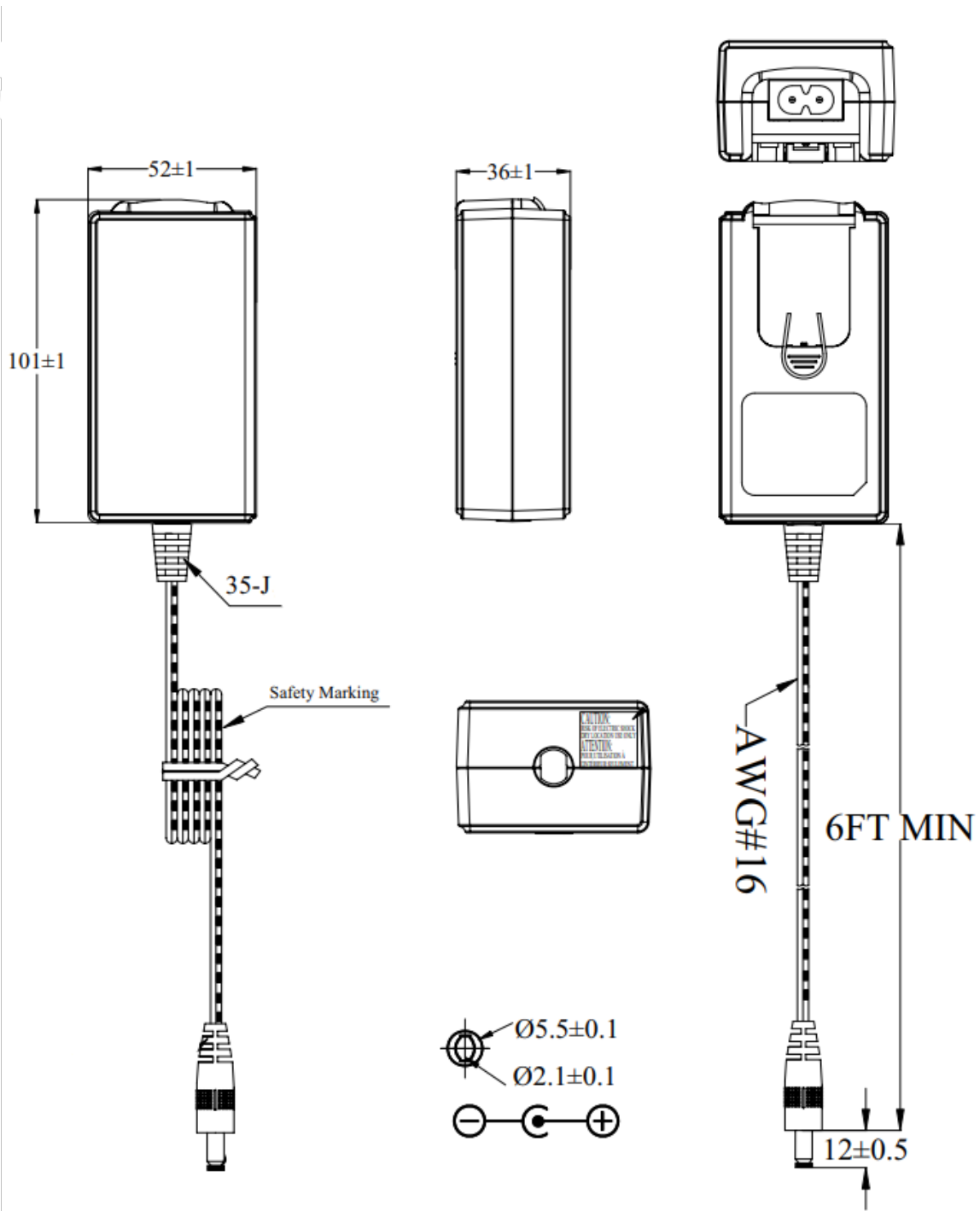
Standards Met	AS/NZS 60950.1, BS EN 60950-1, CB, CE, CSA C22.2 No. 60950-1-07, cUL, EN 60950-1, ErP III (Level VI) Efficiency Compliant, FCC, J60950-1, SAA, TUV, UL, UL 60950-1
Compliance/Certifications	UKCA, CE, cULus, TUV-GS, RCM (C-Tick), FCC, RoHS, REACH

Mechanical Drawing



AC – DC

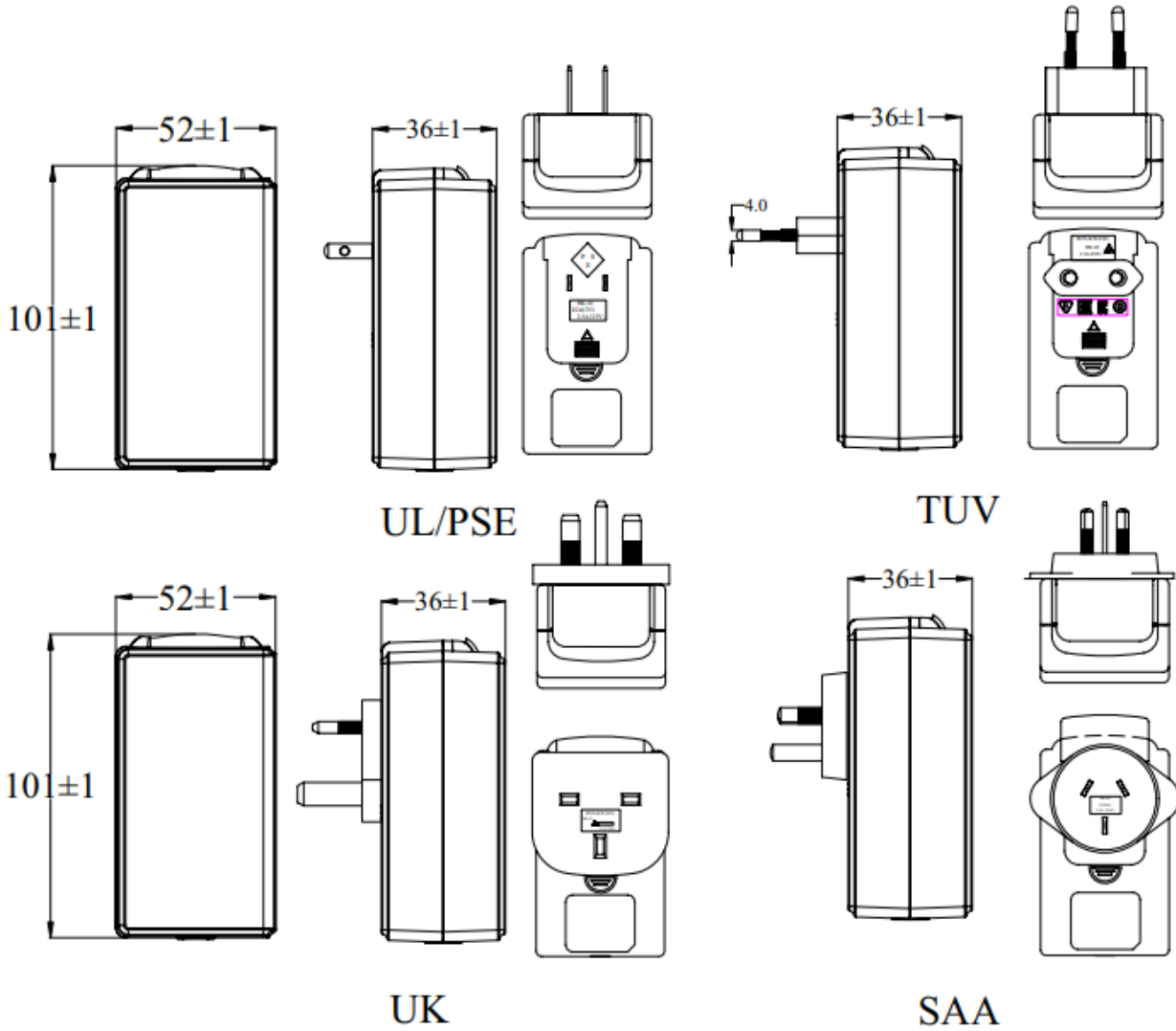
Mechanical Drawing (continued)



AC - DC

Mechanical Drawing (Continued)

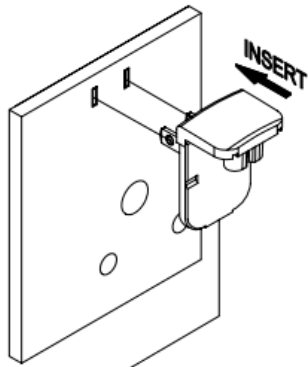
UNIT: mm



AC - DC

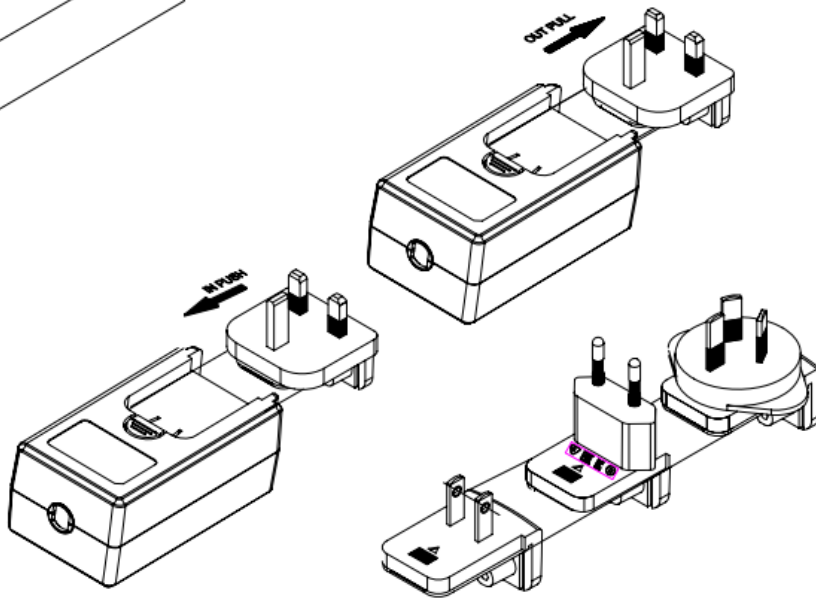
Mechanical Drawing (Continued)

USE SPECIFICATION



**WARNING!**

Please don't insert article alone at the wall.



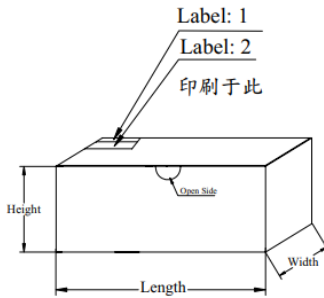
AC - DC

**Packaging**

17.1 Inner Box  
UNIT: mm

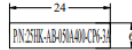
■ BOX (■ Normal BOX □ Corrugated BOX)

Length: 145  
Width: 75  
Height: 65

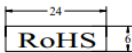


Material: A卡400磅(0.53t)White

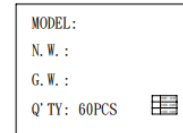
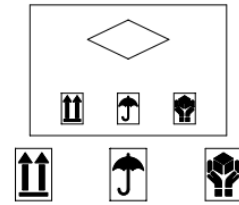
Label: 1



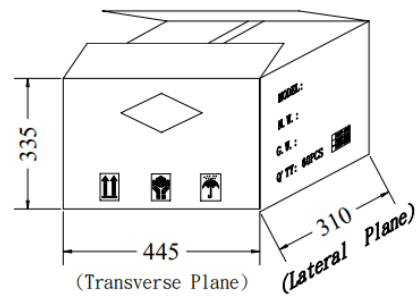
Label: 2



Carton  
UNIT: mm

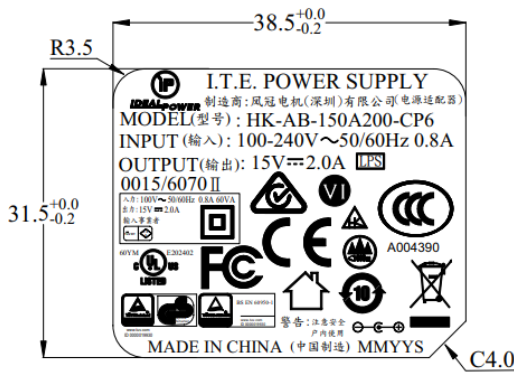


100V-120V
200V-240V
100V-240V



**Labels**

UNIT: mm  
M M Y Y S  
month year  
made in China  
by Hon-kwang



CASE: 上  
NAME-PLATE: BLACK CHARACTERS WHITE BACKGROUND.

